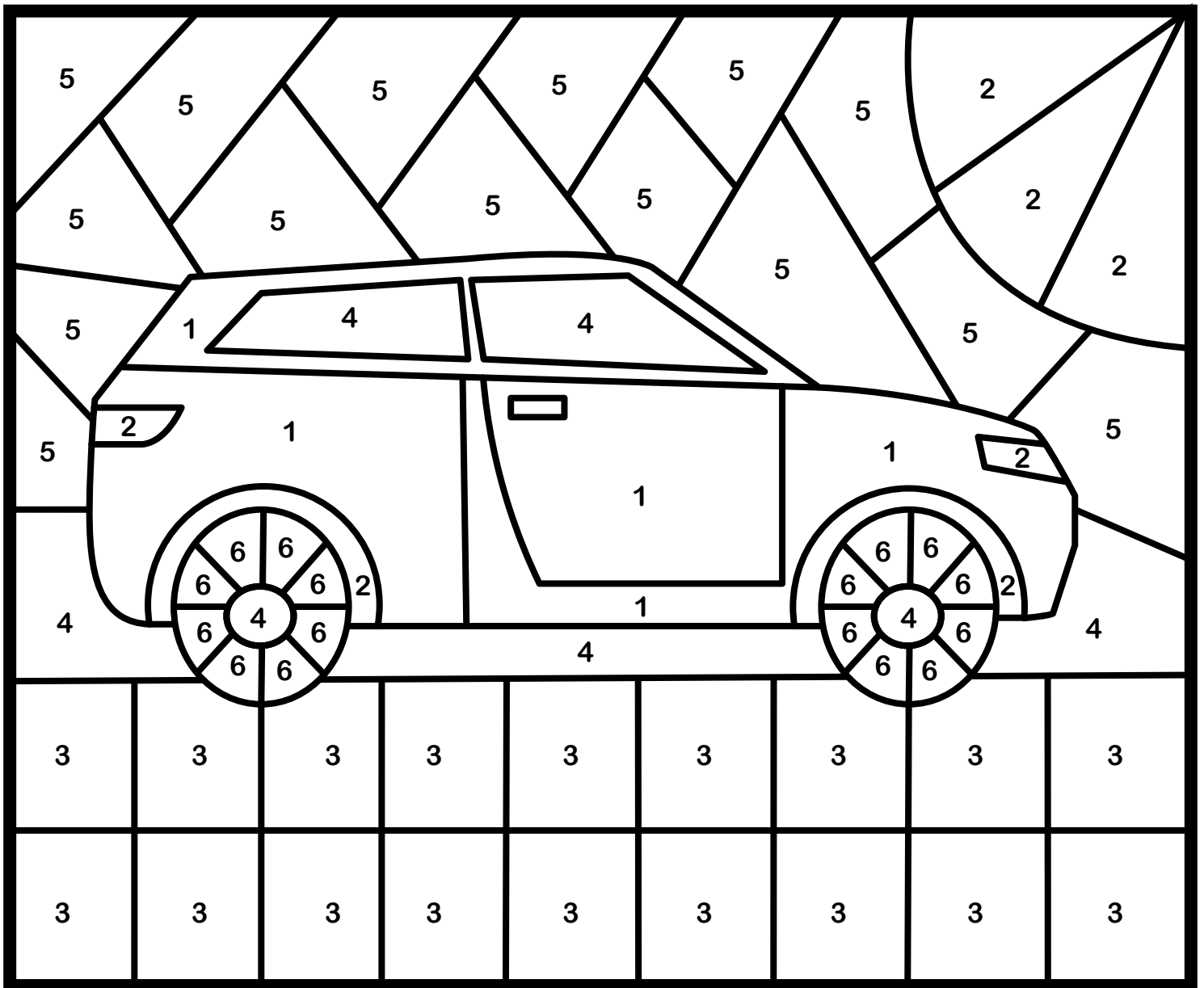


Name: _____

Vehicle Color by Number

Directions: Color the picture according to the number.



red



yellow



gray



light gray



sky blue

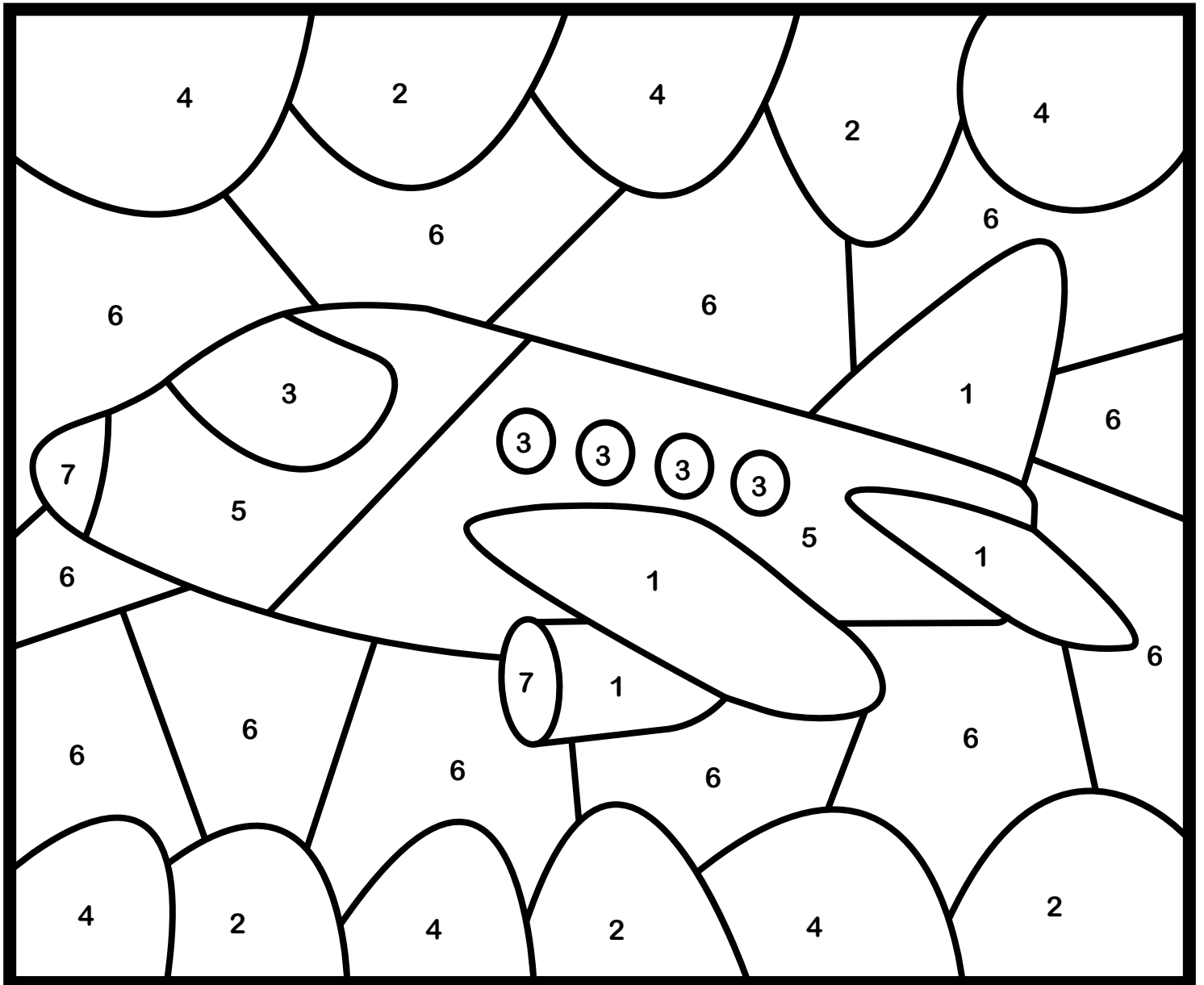


black

Name: _____

Vehicle Color by Number

Directions: Color the picture according to the number.



red



yellow



gray



pink



blue



sky blue

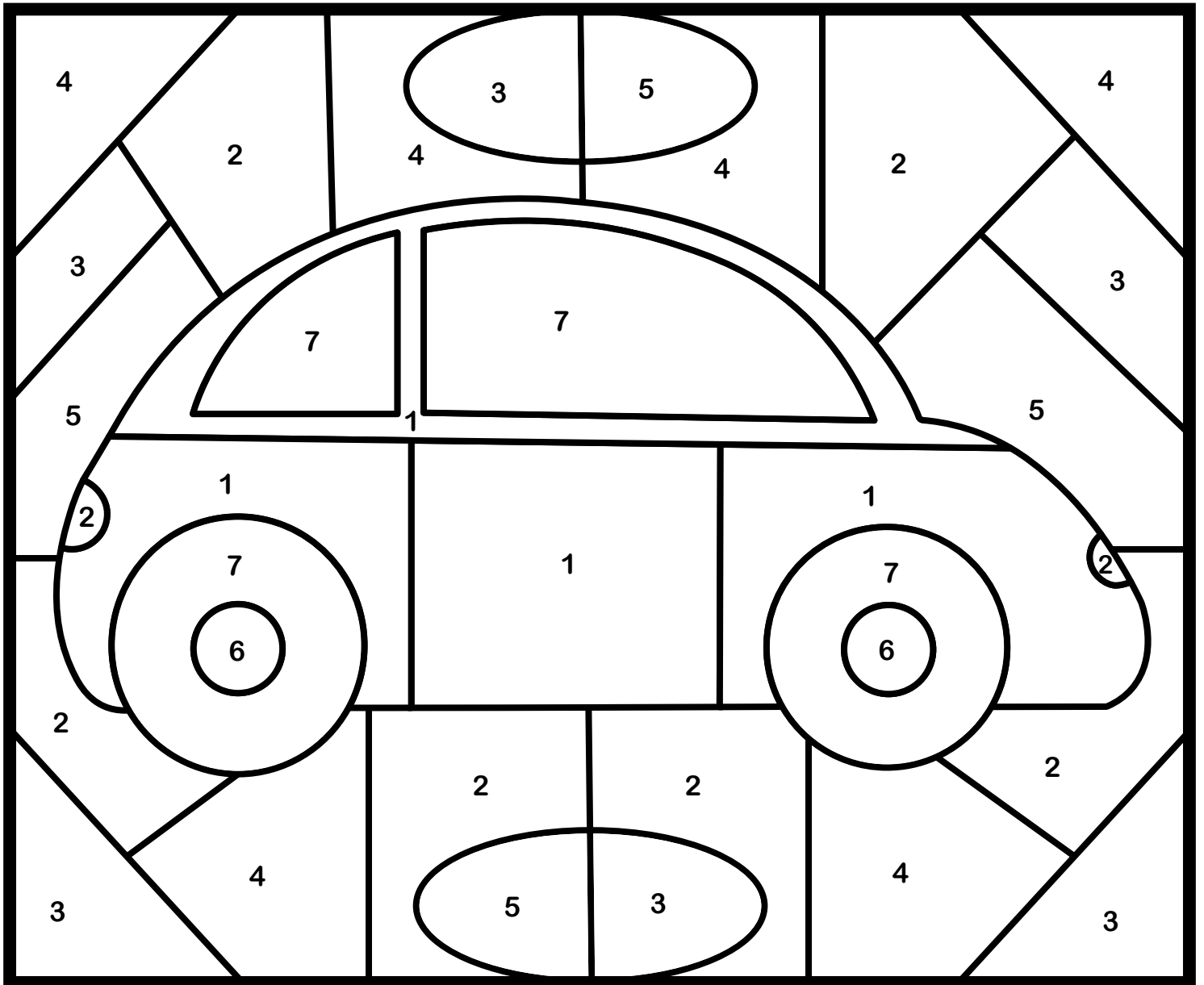


black

Name: _____

Vehicle Color by Number

Directions: Color the picture according to the number.



green



yellow



purple



pink



gray



light gray

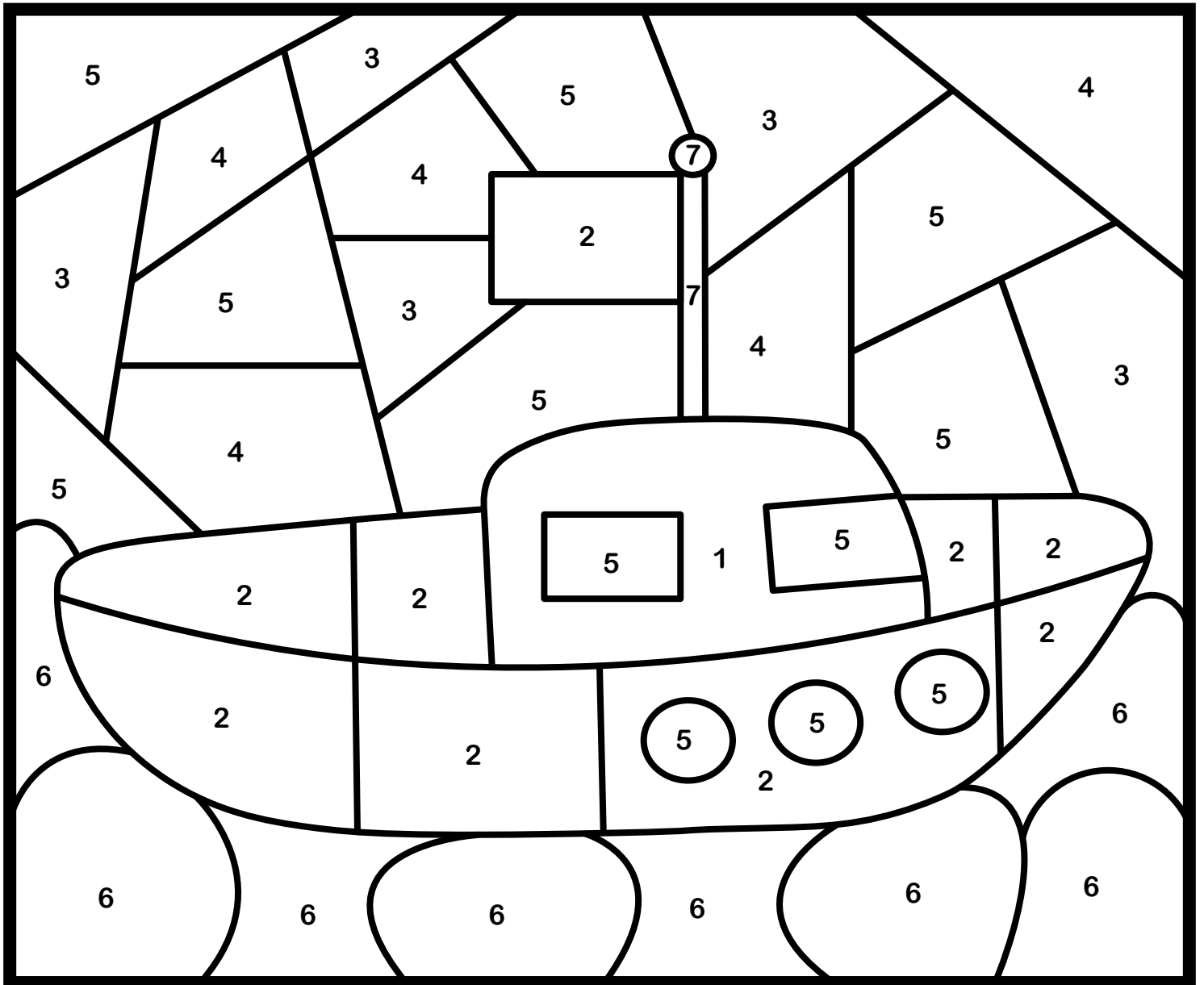


black

Name: _____

Vehicle Color by Number

Directions: Color the picture according to the number.



green



yellow



yellow green



pink



light gray



light blue

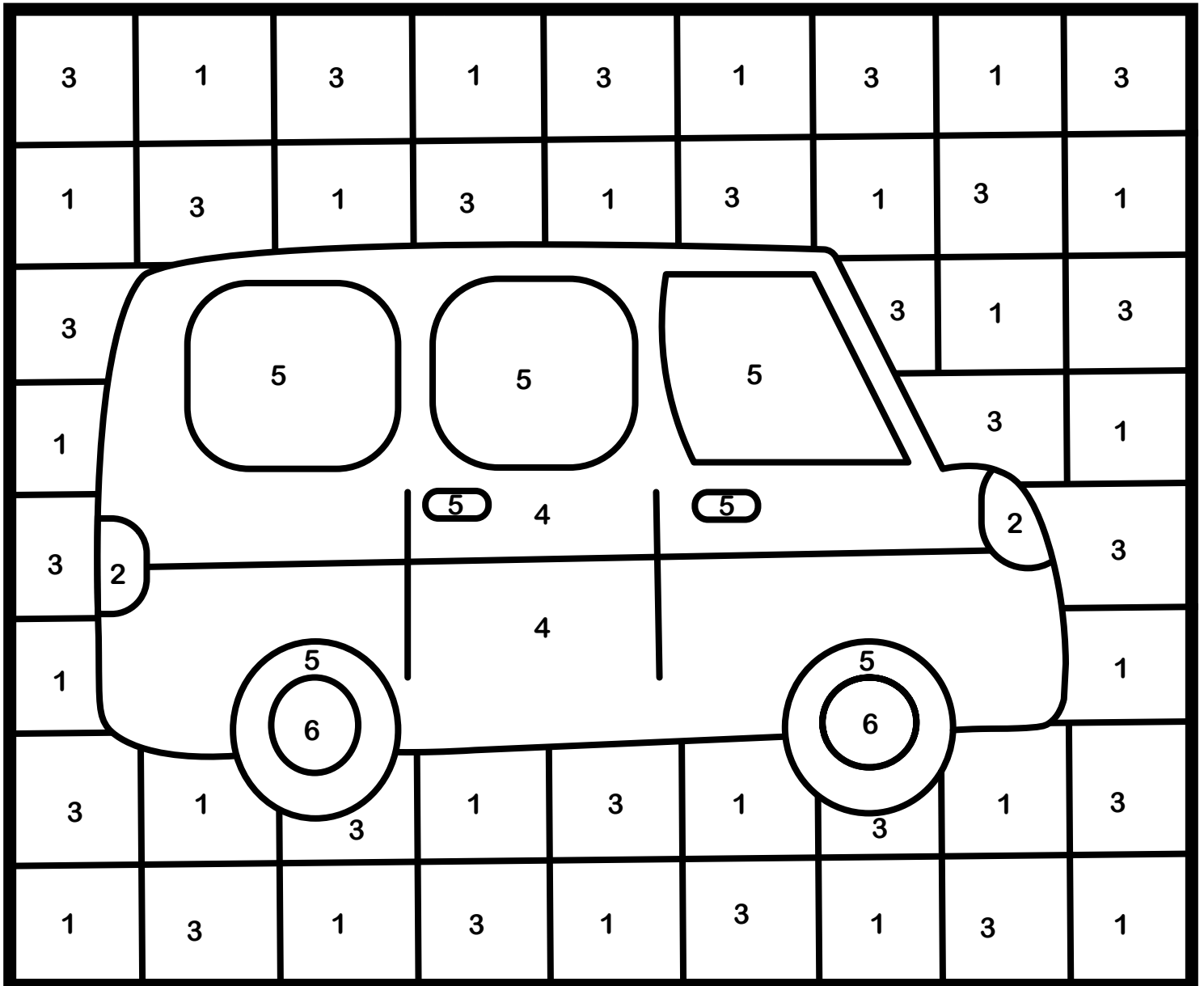


black

Name: _____

Vehicle Color by Number

Directions: Color the picture according to the number.



green



yellow



purple



orange



gray

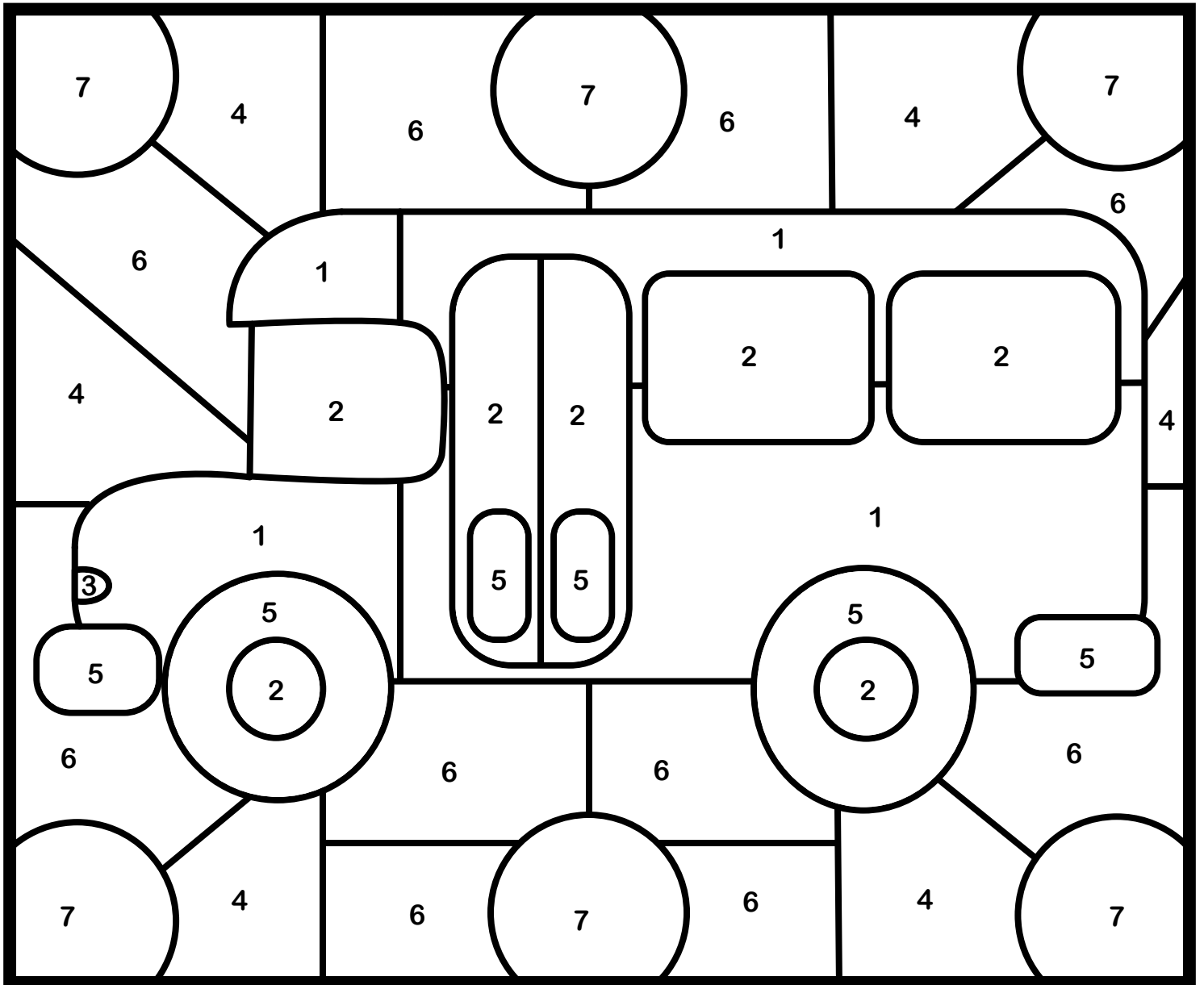


black

Name: _____

Vehicle Color by Number

Directions: Color the picture according to the number.



yellow



gray



orange



pink



black



blue

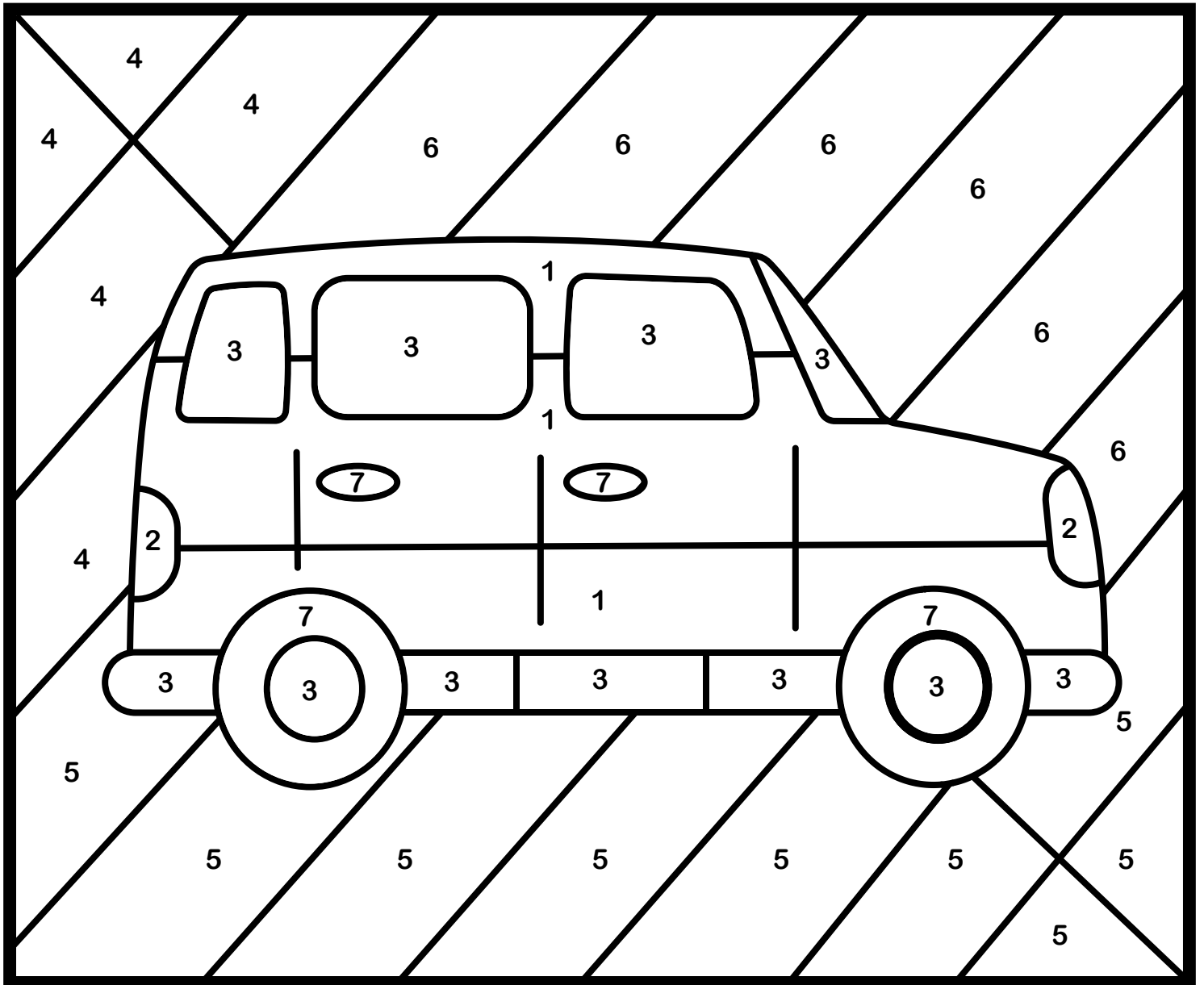


green

Name: _____

Vehicle Color by Number

Directions: Color the picture according to the number.



pink



yellow



light gray



green



gray



blue

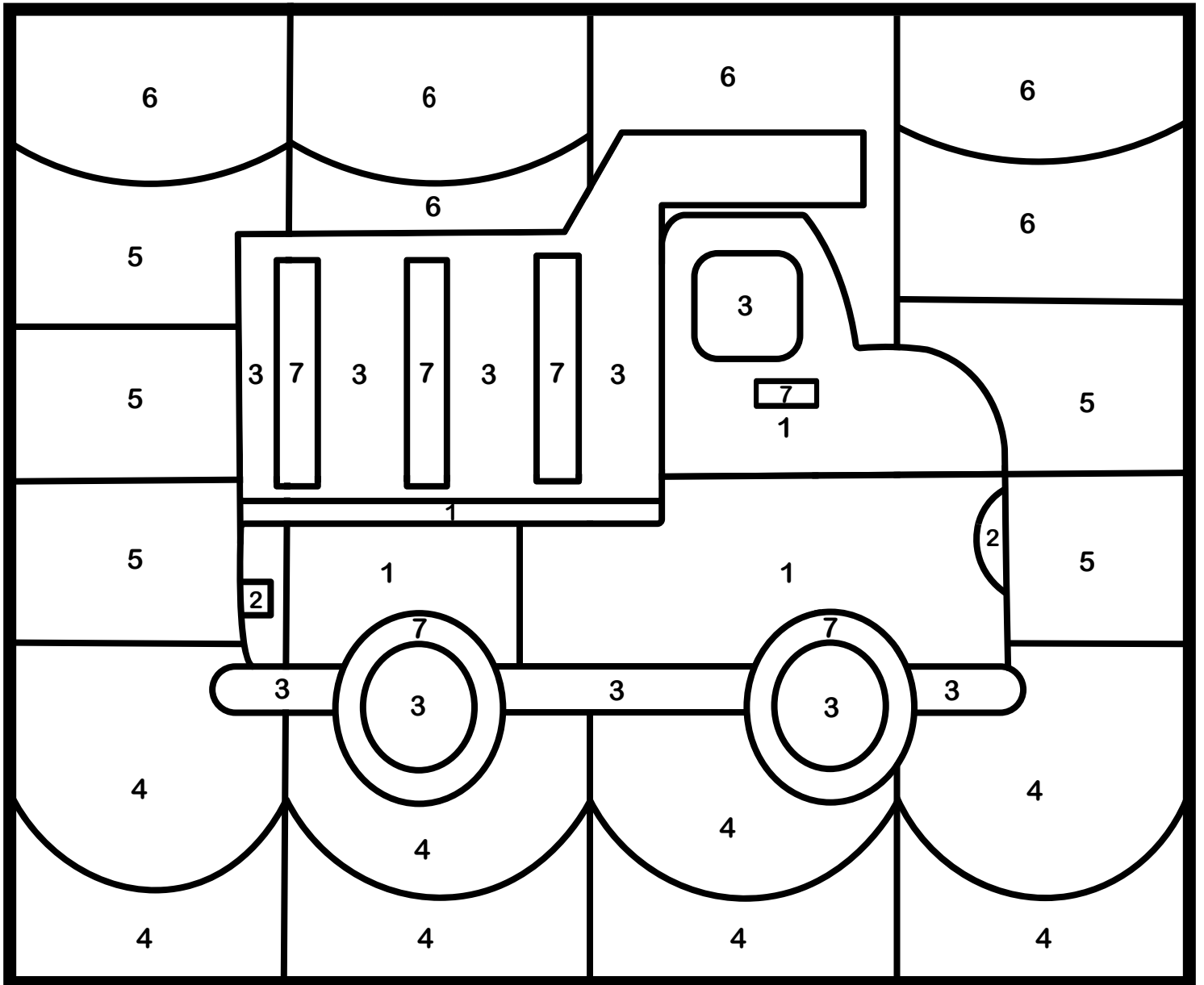


black

Name: _____

Vehicle Color by Number

Directions: Color the picture according to the number.



blue



yellow



light gray



gray



brown



light blue



black